

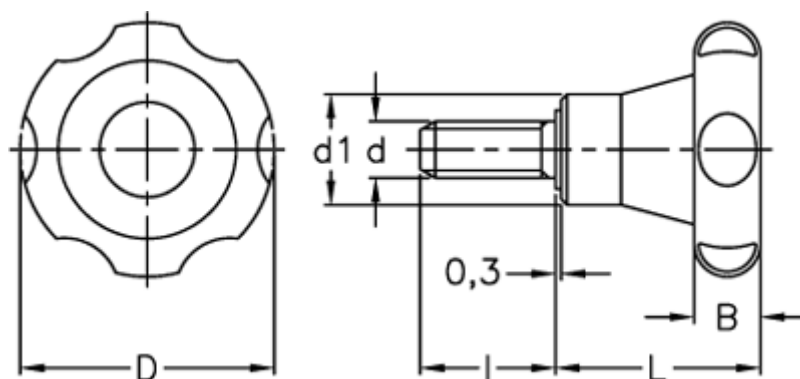
Data Sheet



Article number: 2302075261

Description: E+G Lobe knob
VL.155/70 p-M10x30

Measures



| | |
|------|-------|
| B | = 18 |
| D | = 69 |
| d1 | = 27 |
| d 6g | = M10 |
| l | = 30 |
| L | = 42 |